

MODEL 600S

600 POUND SINGLE MAGNETIC LOCK



- U.L. LISTED, LISTING NUMBER R16756
- 600 POUND MINIMUM HOLDING FORCE
- MAGNET SIZE 9-7/8" L x 1-11/16" H x 1" W
- ARMATURE SIZE 7-1/4" L x 1-1/4" W x 7/16" D
- 12 OR 24 VOLT DC OPERATION, JUMPER SELECTABLE
- CURRENT DRAW 400 MA.@12 VDC, 200 MA.@24 VDC
- CAN BE USED WITH ANY ACCESS CONTROL SYSTEM
- ALL METAL NON-ALUMINUM PARTS ARE PLATED
- CLEAR ANODIZED US 28 FINISH STANDARD



ALARM CONTROLS CORPORATION

19 BRANDYWINE DRIVE P.O. BOX 280 DEER PARK, NY 11729
WWW.ALARMCONTROLS.COM EMAIL: INFO@ALARMCONTROLS.COM

MAGNETIC LOCK L / Z BRACKETS FOR INSWINGING DOORS

AM2370 FOR 300 POUND MAGNETIC LOCK

AM3370 FOR ALL 600 POUND MODELS OF SINGLE MAGNETIC LOCKS

AM6370 FOR ALL 1200 POUND MODELS OF SINGLE MAGNETIC LOCKS

AM3375 FOR ALL 600 POUND MODELS OF DOUBLE MAGNETIC LOCKS

AM6375 FOR ALL 1200 POUND MODELS OF DOUBLE MAGNETIC LOCKS

MAGNETIC LOCK CARE AND MAINTENANCE

MAGNETIC LOCKS HAVE NO INTERNAL MOVING PARTS AND REQUIRE A MINIMUM AMOUNT OF MAINTENANCE.

IT IS RECOMMENDED THAT THE FACE OF THE ARMATURE PLATE AND MAGNET BE WIPED CLEAN AND A LIGHT COATING OF A SUITABLE SILICONE LUBRICANT BE APPLIED TO EACH SURFACE TO PREVENT RUST ALTHOUGH THE MATING SURFACES HAVE BEEN PLATED. THIS ONLY NEEDS TO BE DONE WHEN DIRT BUILD-UP IS NOTICED.

THE ARMATURE PLATE BOLT AND THE HEX HEAD SCREWS HOLDING THE MAGNET TO HEADER PLATE SHOULD BE CHECKED EVERY THREE MONTHS TO INSURE A SAFE AND SECURE INSTALLATION.

MAGNETIC LOCK ELECTRICAL SPECIFICATIONS

300 POUND MODEL SINGLE MAGNETIC LOCK, 250 MA. @ 12 VDC, 130 MA. @ 24 VDC

ALL 600 POUND MODELS OF SINGLE MAGNETIC LOCK, 400 MA. @ 12 VDC, 200 MA. @ 24 VDC

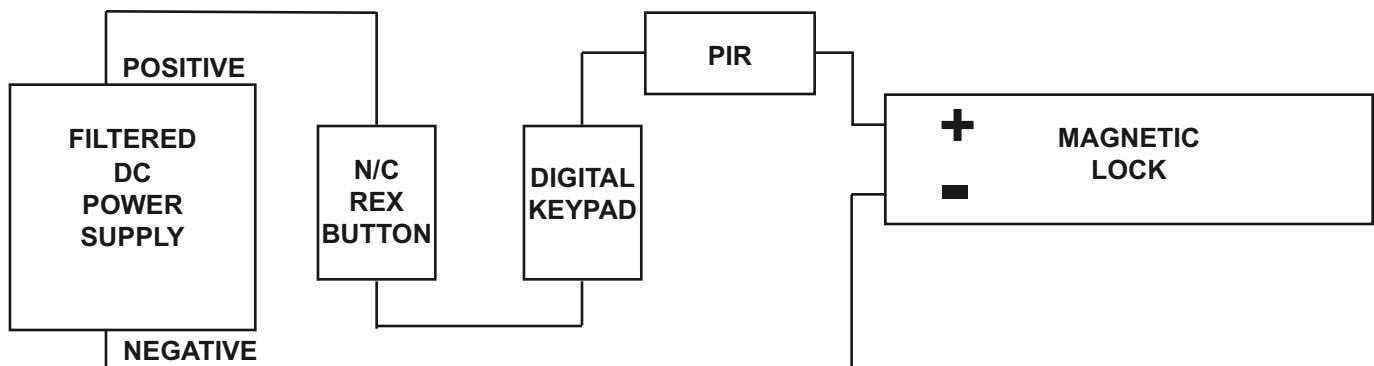
ALL 1200 POUND MODELS OF SINGLE MAGNETIC LOCK, 400 MA. @ 12 VDC, 200 MA. @ 24 VDC

ALL 600 POUND MODELS OF DOUBLE MAGNETIC LOCKS, 400 MA. @ 12 VDC, 200 MA. @ 24 VDC, EACH LOCK

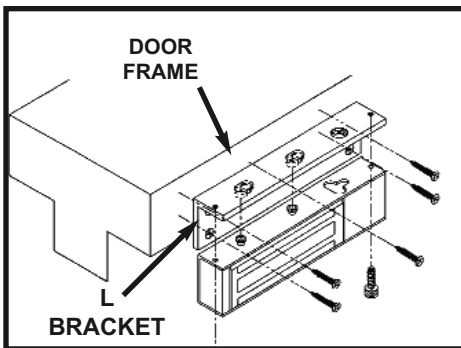
ALL 1200 POUND MODELS OF DOUBLE MAGNETIC LOCKS, 400 MA. @ 12 VDC, 200 MA. @ 24 VDC, EACH LOCK

ALL MAGNETIC LOCKS ARE SET AT THE FACTORY FOR 24 VDC

TYPICAL MAGNETIC LOCK WIRING

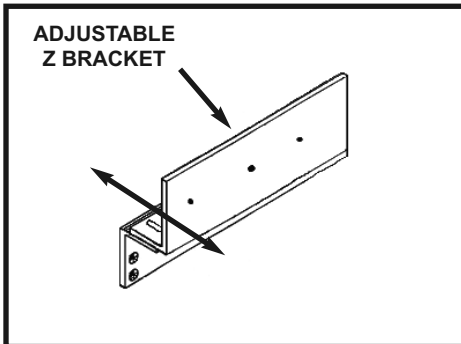


INSWINGING DOOR INSTALLATION WITH L- Z BRACKET



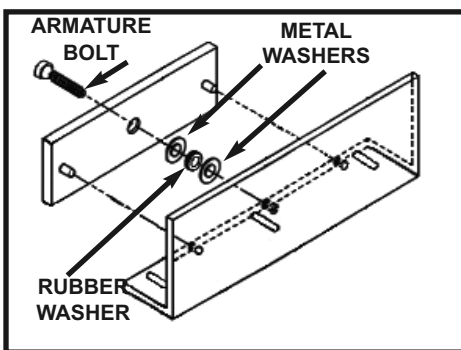
STEP 1

FASTEN THE L BRACKET ON THE DOOR FRAME IN A SUITABLE LOCATION.
MOUNT THE MAGNETIC LOCK TO THE L BRACKET.
MAKE SURE THAT THE MAGNETIC LOCK DOES NOT OBSTRUCT THE CLOSING OF THE DOOR.
CONNECT THE CORRECT VOLTAGE TO THE MAGNET.



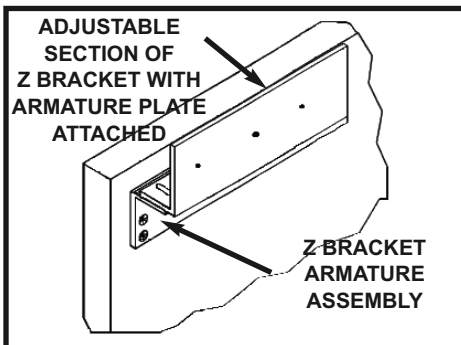
STEP 2

ASSEMBLE THE Z BRACKET WITH THE SOCKET HEAD CAP SCREWS PROVIDED. DO NOT TIGHTEN THE CAP SCREWS AT THIS TIME. THE Z BRACKET MUST BE ADJUSTABLE.



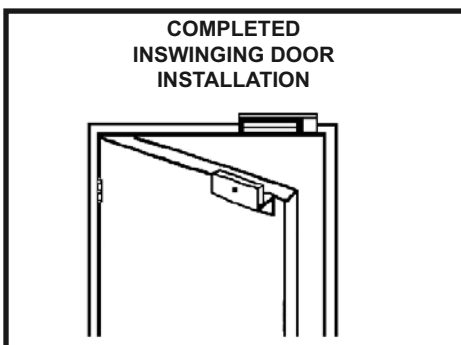
STEP 3

MOUNT THE ARMATURE PLATE TO THE ADJUSTABLE SECTION OF THE Z BRACKET WITH THE ARMATURE BOLT. DO NOT REMOVE THE RUBBER WASHER ATTACHED TO THE ARMATURE BOLT. USE ONE RUBBER WASHER BETWEEN TWO METAL WASHERS ON THE ARMATURE BOLT. THE WASHER ASSEMBLY MUST BE BETWEEN THE ARMATURE PLATE AND THE ADJUSTABLE SECTION OF THE Z BRACKET. APPLY THE SCREW LOCKING AGENT TO THE ARMATURE BOLT. **DO NOT OVER TIGHTEN. ARMATURE MUST ROCK TO ALIGN WITH THE MAGNET.**



STEP 4

CLOSE THE DOOR AND ALIGN THE ARMATURE PLATE TO THE MAGNET AND APPLY POWER TO THE MAGNET. LET THE ARMATURE PLATE BOND TO THE MAGNET. BE SURE THE Z BRACKET ASSEMBLY IS FIRMLY AGAINST THE CLOSED DOOR.
TIGHTEN THE CAP SCREWS HOLDING THE Z BRACKET ARMATURE PLATE ASSEMBLY.
FASTEN THE Z BRACKET ASSEMBLY TO THE DOOR WITH THE SCREWS SUPPLIED.



STEP 5

CHECK THE COMPLETED ALIGNMENT AND INSTALLATION OF THE MAGNET AND ARMATURE PLATE BY OPENING AND CLOSING THE DOOR BY ENERGIZING AND DE-ENERGIZING THE MAGNETIC LOCK SEVERAL TIMES.
THIS WILL INSURE THAT THE CORRECT OPERATION AND ALIGNMENT OF THE MAGNETIC LOCK HAS BEEN PROPERLY INSTALLED.

MAGNETIC LOCK INSTALLATION INSTRUCTIONS

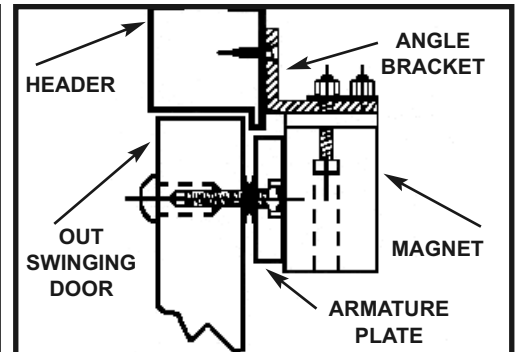
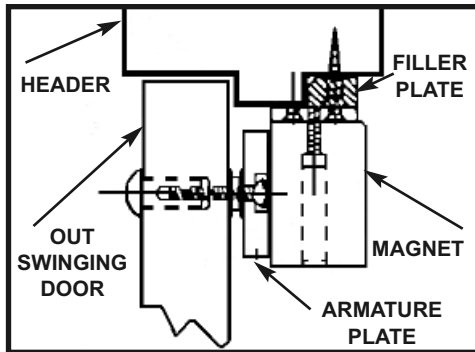
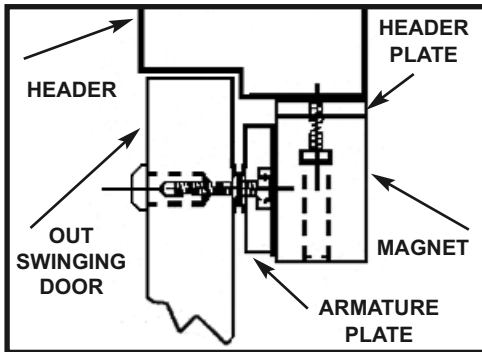
PLEASE READ BEFORE INSTALLATION

ALARM CONTROLS CORPORATION OFFERS A COMPLETE LINE OF MAGNETIC LOCKS AND ACCESSORY ITEMS TO ASSIST THE INSTALLER IN MANAGING EVERY APPLICATION.

THE MAGNETIC LOCK IS DESIGNED TO MOUNT TO THE DOOR FRAME ON THE STOP SIDE OF THE DOOR IN A TYPICAL OUTSWINGING DOOR INSTALLATION, (SEE PAGE 2 FOR INSWINGING DOOR INSTALLATION). SUFFICIENT HEADER SPACE MUST BE AVAILABLE TO MOUNT THE MAGNETIC LOCK TO INSURE A SAFE AND SECURE INSTALLATION.

1. NOTE TYPE OF DOOR FRAME HEADER AND INSTALL FILLER PLATE OR ANGLE BRACKET AS REQUIRED TO PROVIDE A FLAT MOUNTING SURFACE ON THE DOOR HEADER THE ENTIRE LENGTH OF THE MAGNETIC LOCK.

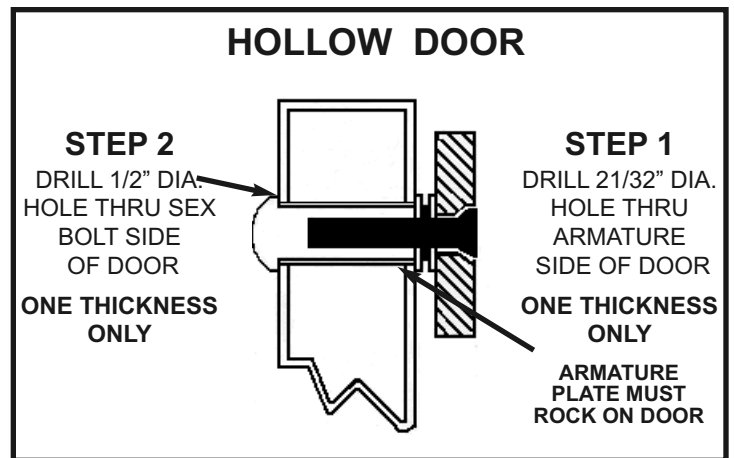
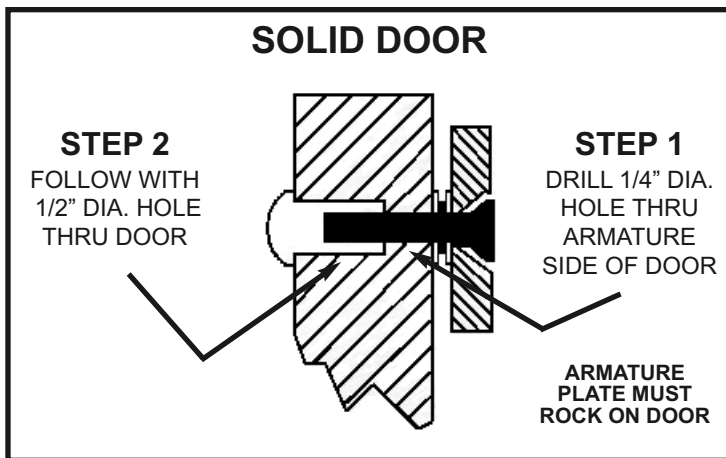
OUTSWINGING DOOR INSTALLATION



2. FOLD TEMPLATE ON DOTTED LINE TO FORM A 90 DEGREE ANGLE. TAPE TEMPLATE AGAINST DOOR HEADER WITH DOOR IN A CLOSED POSITION 1" FROM DOOR FRAME OPPOSITE HINGE SIDE OF DOOR JAMB. FOR A PAIR OF DOUBLE DOORS PLACE TEMPLATE AT THE CENTER OF THE DOOR OPENING. TRANSFER HOLE LOCATIONS TO DOOR AND FRAME HEADER, (SEE TEMPLATE INSTRUCTIONS).
3. FOLLOW TEMPLATE INSTRUCTIONS FOR HOLE SIZES. USE THE ILLUSTRATIONS BELOW TO DETERMINE THE PROPER HOLE PREPARATION FOR THE ARMATURE PLATE ACCORDING TO THE DOOR TYPE IN THE INSTALLATION.

THE INCLUDED HARDWARE PACKAGE CONTAINS ALL NECESSARY ITEMS TO COMPLETE THE INSTALLATION.

TO REMOVE THE HEADER PLATE INSERT HEX KEY INTO HOLES LOCATED AT THE BOTTOM OF LOCK ON THE RIGHT AND LEFT SIDE AND UN-SCREW THE CAP SCREWS



ALARM CONTROLS CORPORATION

19 BRANDYWINE DRIVE P.O. BOX 280

DEER PARK, NY 11729

800 645-5538 WWW.ALARMCONTROLS.COM

WIRE GAUGE CHART

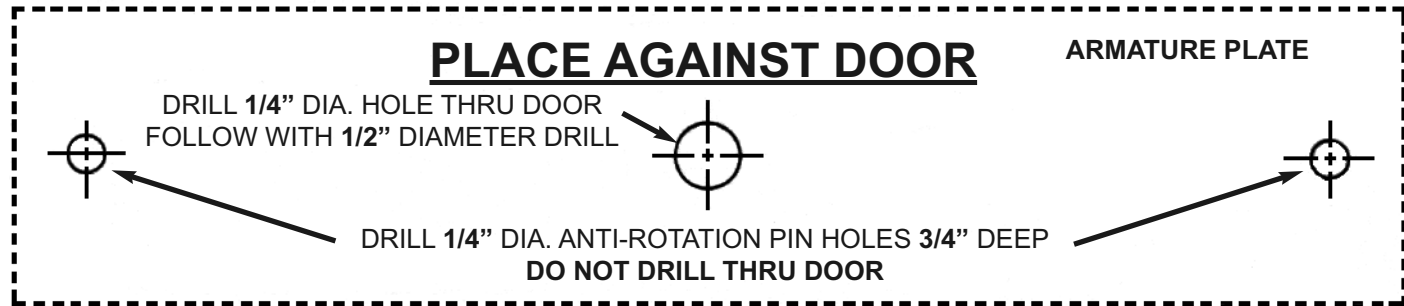
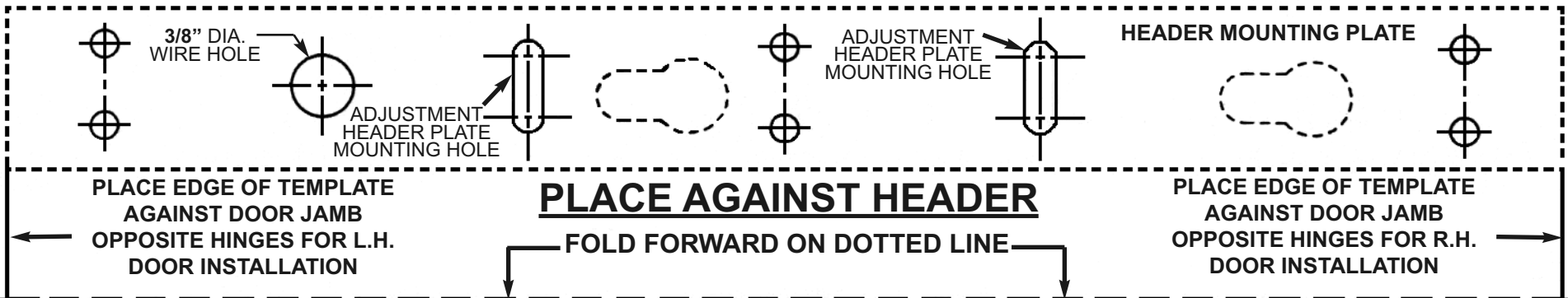
DISTANCE FROM POWER SUPPLY TO MAGNETIC LOCK

D C C U R R E N T	12 VDC	50 FEET	100 FEET	150 FEET	200 FEET	300 FEET	400 FEET	500 FEET	750 FEET	1000 FEET
	24 VDC									
200 MA.	24 GA.	22 GA.	22 GA.	22 GA.	22 GA.	20 GA.	18 GA.	18 GA.	16 GA.	14 GA.
	24 GA.	24 GA.	24 GA.	24 GA.	22 GA.	22 GA.	22 GA.	20 GA.	20 GA.	18 GA.
300 MA.	24 GA.	22 GA.	22 GA.	22 GA.	20 GA.	18 GA.	18 GA.	16 GA.	14 GA.	14 GA.
	24 GA.	24 GA.	24 GA.	22 GA.	22 GA.	22 GA.	20 GA.	20 GA.	18 GA.	16 GA.
400 MA.	22 GA.	22 GA.	20 GA.	18 GA.	18 GA.	16 GA.	14 GA.	14 GA.	14 GA.	12 GA.
	24 GA.	22 GA.	22 GA.	22 GA.	22 GA.	20 GA.	18 GA.	18 GA.	16 GA.	14 GA.
600 MA.	22 GA.	20 GA.	18 GA.	18 GA.	16 GA.	14 GA.	14 GA.	14 GA.	12 GA.	10 GA.
	24 GA.	22 GA.	22 GA.	20 GA.	18 GA.	18 GA.	16 GA.	14 GA.	14 GA.	14 GA.
800 MA.	22 GA.	18 GA.	18 GA.	16 GA.	14 GA.	12 GA.	10 GA.	10 GA.	10 GA.	8 GA.
	22 GA.	22 GA.	20 GA.	18 GA.	18 GA.	16 GA.	14 GA.	14 GA.	14 GA.	12 GA.
1 AMP.	20 GA.	18 GA.	16 GA.	14 GA.	14 GA.	12 GA.	10 GA.	10 GA.	10 GA.	8 GA.
	22 GA.	20 GA.	20 GA.	18 GA.	16 GA.	14 GA.	14 GA.	12 GA.	12 GA.	10 GA.

TROUBLE SHOOTING GUIDE

PROBLEM	CAUSE	SOLUTION
LOCK BUZZES	AC VOLTAGE CONNECTED TO LOCK AC RIPPLE IN POWER SUPPLY	SUPPLY DC VOLTAGE TO LOCK REPLACE POWER SUPPLY
INSUFFICIENT HOLDING FORCE	INCORRECT INPUT VOLTAGE LOW INPUT VOLTAGE MISALIGNMENT OF ARMATURE PLATE ARMATURE PLATE SCREWED TIGHT TO DOOR WRONG HARDWARE ASSEMBLY	CHECK VOLTAGE JUMPER POSITION FOR CORRECT VOLTAGE SETTING LOCK SET AT FACTORY FOR 24 VDC CHECK POWER SUPPLY VOLTAGE WIRE GAUGE INCORRECT FOR WIRE RUN ARMATURE PLATE MUST COVER ALL MAGNETIC POLES OF LOCK ARMATURE PLATE MUST ROCK ON DOOR TO ALIGN WITH LOCK A METAL WASHER, RUBBER WASHER AND METAL WASHER MUST BE BETWEEN DOOR AND ARMATURE PLATE
DOOR DOES NOT LOCK	NO POWER TO DOOR	CHECK POWER AT LOCK CHECK POWER SUPPLY CHECK ALL CONNECTIONS
DOOR STATUS SENSOR NOT WORKING (APPLICABLE MODELS)	MAGNET IN ARMATURE PLATE NOT ALIGNED WITH LOCK	ALIGN MAGNET IN ARMATURE PLATE WITH DOOR STATUS SENSOR DOT ON LOCK

MODEL 600 SERIES SINGLE DRILL TEMPLATE



MOUNTING INSTRUCTIONS

STEP 1

LOCATING MOUNTING HOLES

- FOLD TEMPLATE AT DOTTED LINE.
- PLACE BOTTOM PORTION OF TEMPLATE AGAINST THE DOOR.
- LOCATE AND MARK THE THREE HOLES ON ARMATURE PLATE.
- LOCATE AND MARK THE TWO ADJUSTMENT HEADER PLATE HOLES AND WIRE HOLE ON THE HEADER MOUNTING PLATE.

STEP 2

INSTALLING ARMATURE PLATE

- DRILL A LEVEL 1/4" DIA. HOLE THRU THE DOOR. FOLLOW WITH A 1/2" DIA. DRILL. **THIS IS FOR A SOLID DOOR ONLY!**
- DRILL TWO 1/4" HOLES FOR THE ANTI-ROTATION PINS 3/4" DEEP.
- MOUNT THE ARMATURE PLATE TO THE DOOR WITH THE SEX BOLT.
- PLACE A METAL WASHER A RUBBER WASHER AND A METAL WASHER ON BOLT BETWEEN DOOR AND ARMATURE.
- ARMATURE MUST ROCK ON DOOR.

STEP 3

HEADER MOUNTING PLATE

- MOUNT HEADER PLATE TO JAMB USING THE TWO ADJUSTMENT HOLES.
- RUN THE CONTROL CABLE THRU THE WIRE HOLE.
- SLIDE MAGLOCK ON HEADER MOUNTING PLATE.
- ADJUST THE POSITION OF MAGLOCK TO CONTACT THE ARMATURE.
- REMOVE MAGLOCK AND SECURE HEADER MOUNTING PLATE WITH THE SIX REMAINING SCREWS.

STEP 4

INSTALLING MAGNET

- SLIDE MAGLOCK ON HEADER PLATE.
- FASTEN MAGLOCK TO HEADER PLATE WITH THE ALLEN HEAD CAP SCREWS LOCATED AT EACH END OF THE LOCK.
- AFTER CHECKING FOR PROPER OPERATION AND ALIGNMENT APPLY THE SCREW LOCKING AGENT TO HEADER MOUNTING PLATE SCREWS, ARMATURE BOLT AND ALLEN CAP SCREWS.



MAGNETIC LOCK WIRING INSTRUCTIONS

MODELS WITHOUT BOND SENSOR & DOOR STATUS SENSOR

600S, 600L, 600D, 1200S, 1200L

IMPORTANT ON ALL MODELS

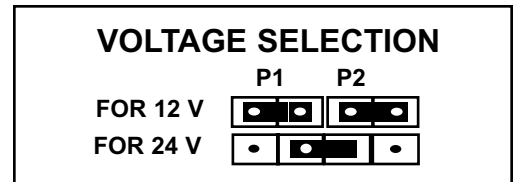
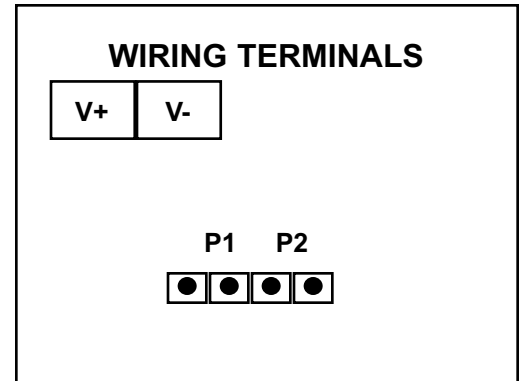
REMOVE TERMINAL COVER SCREW
TO ACCESS HEADER MOUNTING SCREW

WIRING INSTRUCTIONS

CONNECT POSITIVE LOCK POWER
TO V+ TERMINAL
CONNECT NEGATIVE LOCK POWER
TO V- TERMINAL

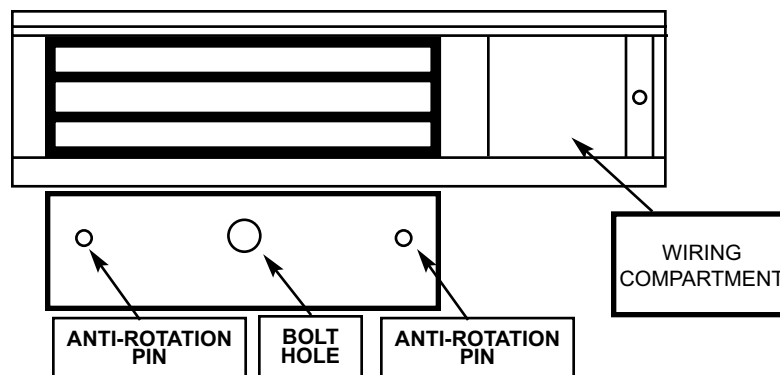
FOR MODELS 600L AND 1200L

CONNECT RED LED LEAD TO V+
CONNECT BLACK LED LEAD TO V-



**VOLTAGE IS FACTORY
SET FOR 24 VDC**

ORIENTATION OF THE MAGNET AND ARMATURE



WHEN MOUNTING ARMATURE PLATE ON DOOR RUBBER
WASHER MUST BE PLACED BETWEEN METAL WASHERS.
DO NOT EXCESSIVELY TIGHTEN SEX BOLT. *ARMATURE MUST
FLOAT ON DOOR.* THREAD LOCKING AGENT SHOULD BE USED.



ALARM CONTROLS CORPORATION
DEER PARK, NEW YORK 11729

PH: 1 800 645-5538 FAX: 1 631 586-6500 EMAIL: INFO@ALARMCONTROLS.COM
WEBSITE: WWW.ALARMCONTROLS.COM